



VALVE DATA SHEET

| | | | |
|-----------|---|------------|-------------|
| Project | 포스코 포항_1EGL | | |
| Item | Pneumatic Shut-Off Teflon Lined Butterfly Valve | Sheet No. | 10 OF 15 |
| Service | | P&ID No. | |
| Tag. No. | LSV-221 / LSV-222 / SV-214 / SV-341 / SV-342 | MFG. No. | 20221156-60 |
| Model No. | YABB-112P1-80A | Q'ty (Set) | 5 |

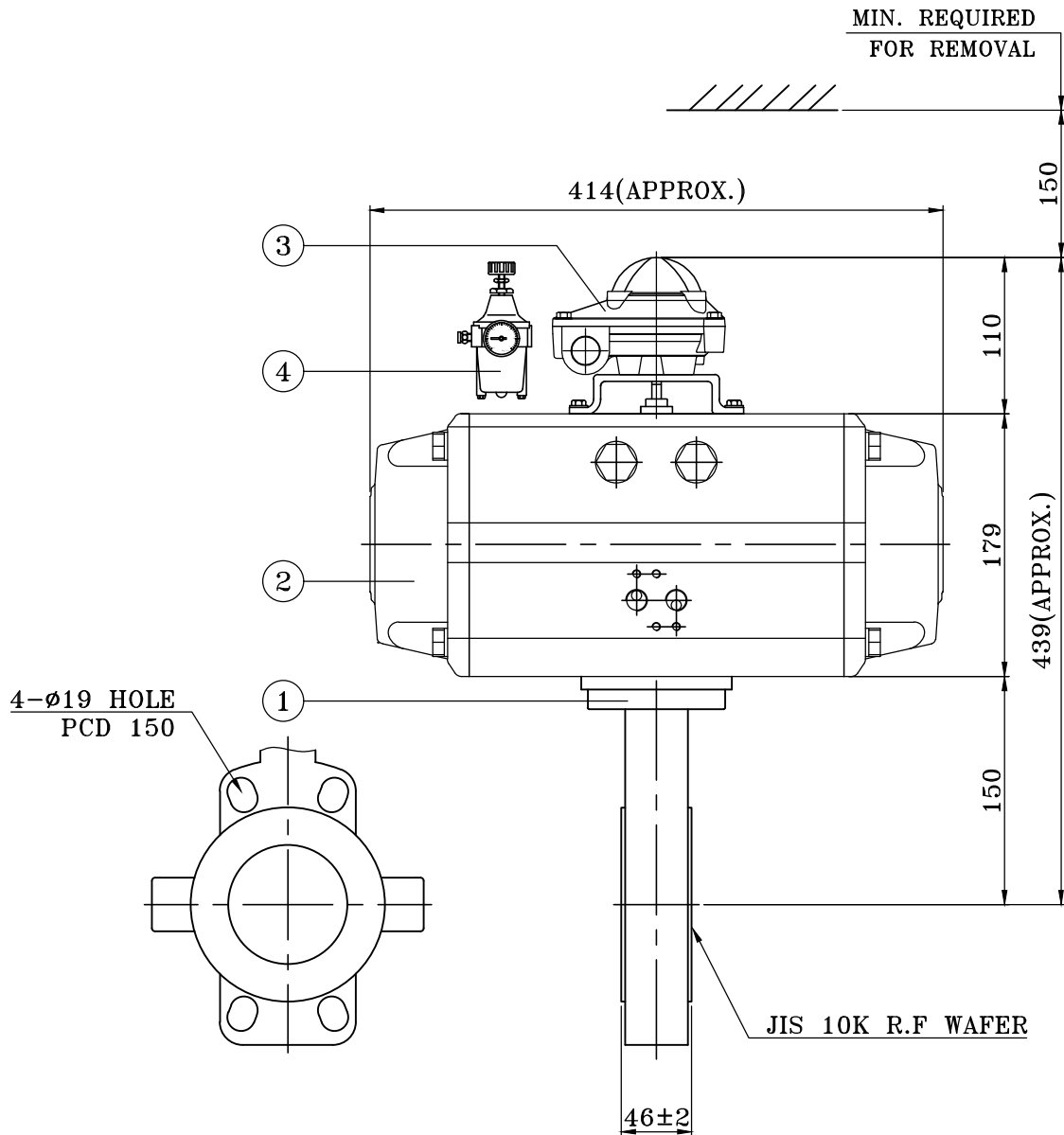
| | | | | | | | | | | | |
|--------------------|------------|---------------------------------|-----------------------|------------|-----------------------|--------------------|------------------|------------------------------|-------------------------|----------------|-----|
| SERVICE CONDITIONS | 1 | Medium | | | | ACTUATOR | 46 | Actuator Type | Single Acting Cylinder | | |
| | 2 | | Max. Q | Nor. Q | Nin. Q | | 47 | Model No. | B4SR | | |
| | 3 | Flow Rate | kg/hr | | | | 48 | Close At (bar G) | Open At (bar G) | 2.0 | 3.5 |
| | 4 | Inlet Pressure | kgf/cm ² G | | | | 49 | Fail Position (Signal / Air) | Close | | |
| | 5 | Outlet Pressure | kgf/cm ² G | | | | 50 | Hand-Wheel (Type / Location) | - | | |
| | 6 | Differential Pressure | kgf/cm ² | | | | 51 | Painting Color (RAL No.) | RAL 5019 | | |
| | 7 | Inlet Temperature | ℃ | | | | 52 | Painting Type | Polyurethane | | |
| | 8 | Specific Gravity | G | | | | I / P POSITIONER | 53 | Input Signal (mA DC) | - | |
| | 9 | Density | kg/m ³ | | | | | 54 | Output Pressure (bar G) | - | |
| | 10 | Molecular Weight | M.W | | | | | 55 | Type | - | |
| | 11 | Viscosity | cPs | | | | | 56 | Enclosure | - | |
| | 12 | Predicted SPL | dB(A) | | | | | 57 | Model No. | - | |
| | 13 | Calculated Cv | | | | | | 59 | MFG. | - | |
| | 14 | Opening Lift | % | | | | | POSITION TRANSMITTER | 59 | Output (mA DC) | - |
| | 15 | | | | | | 60 | | Type | - | |
| | 16 | | | | | | 61 | | Model No. | - | |
| DESIGN | 17 | Shut Off ΔP | | | kgf/cm ² G | SOLENOID VALVE | 62 | Power | AC110V | | |
| | 18 | Design Pressure | | | kgf/cm ² G | | 63 | Type | 3-Way, Lock Type | | |
| | 19 | Design Temp. | | | ℃ | | 64 | Enclosure | IP-65 | | |
| LINE | 20 | Inlet Pipe Size (A) / Sch. No. | 80 | | | 65 | Model No. | SV-210D | | | |
| | 21 | Outlet Pipe Size (A) / Sch. No. | 80 | | | 66 | MFG. | SYC | | | |
| BODY & TRIM | 22 | Body Type | | | Butterfly | LIMIT SWITCH & BOX | 67 | Quantity | Close/Open | | |
| | 23 | Body Size (B) | Port Size (B) | 80 | 80 | | 68 | Type | SPDT | | |
| | 24 | Trim Design | Guide | Concentric | Top & Bottom | | 69 | Enclosure | IP-66 | | |
| | 25 | Trim Type | Trim Seal Ring | - | - | | 70 | Model No. | APL-210N | | |
| | 26 | Rating & End Connection | | | JIS 10K R.F Wafer | | 71 | MFG. | HKC | | |
| | 27 | Flange Facing | | | - | AIR SET | 72 | Air Supply Pressure (bar G) | 5 | | |
| | 28 | Material | Body | | | | Ductile + PTFE | 73 | Model No. | AR-1501 | |
| | 29 | | Plug / Disc / Ball | | | Ductile + PFA | ACCESSORY | 74 | Lock-Up Valve | - | |
| | 30 | | Seat | | | Ductile + PFA | | 75 | Volume Booster | - | |
| | 31 | | Cage | | | - | | 76 | Snap Acting Relay | - | |
| | 32 | | Stem | | | - | | 77 | Check Valve | - | |
| | 33 | | Packing | | | PTFE | | 78 | Air-Operated Valve | - | |
| | 34 | Bonnet Type | | | Standard | 79 | | Exhaust Valve | - | | |
| | 35 | Trim Form | | | Quick-Open | 80 | | Speed-Controller | - | | |
| | 36 | Max.Allow Sound Level (dBA) | | | 85 | 81 | | | | | |
| | 37 | Required Seat Tightness | | | ANSI CLASS IV | 82 | | | | | |
| | 38 | Rated Cv | | | - | 83 | | | | | |
| | 39 | Stroke | | | 90° | 84 | | | | | |
| | 40 | Flow Action To | | | Direct | 85 | | | | | |
| | 41 | Painting Color (RAL No.) | | | - | MISCELLANEOUS | 86 | Conduit Connection | Air Supply | PT.F 1/4" | |
| | 42 | Painting Type | | | - | | 87 | | Electrical | PF.F 1/2" | |
| | 43 | | | | | | 88 | Water Seal | - | | |
| | 44 | | | | | | 89 | Tubing Material | 316 SS | | |
| | 45 | | | | | | 90 | | | | |
| | NOTE | | | | | | | | | | |
| | | | | | | | | | | | |
| | | | | | | | | | | | |
| | | | | | | | | | | | |
| | | | | | | | | | | | |
| B | 2022-11-04 | For Approval | | | S. J. K | H. S. L | S. S. H | | | | |
| A | 2022-10-14 | For Approval | | | S. J. K | H. S. L | S. S. H | | | | |
| No. | Date | Revision | | | Prepared By | Checked By | Approved By | | | | |



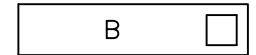
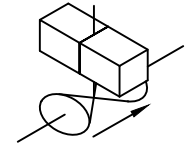
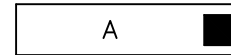
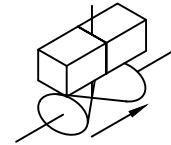
VALVE DATA SHEET

| | | | |
|-----------|---|------------|-------------|
| Project | 포스코 포항_1EGL | | |
| Item | Pneumatic Shut-Off Teflon Lined Butterfly Valve | Sheet No. | 11 OF 15 |
| Service | | P&ID No. | |
| Tag. No. | SV-161 / SV-361 | MFG. No. | 20221161-62 |
| Model No. | YABB-112P1-100A | Q'ty (Set) | 2 |

| | | | | | | | | | | | | |
|--------------------|------------|---------------------------------|-----------------------|----------------|--------------------|----------------|-----------------------------|------------------------------|-------------------------|----------------|-----|--|
| SERVICE CONDITIONS | 1 | Medium | | | | ACTUATOR | 46 | Actuator Type | Single Acting Cylinder | | | |
| | 2 | | Max. Q | Nor. Q | Nin. Q | | 47 | Model No. | B4SR | | | |
| | 3 | Flow Rate | kg/hr | | | | 48 | Close At (bar G) | Open At (bar G) | 2.0 | 3.5 | |
| | 4 | Inlet Pressure | kgf/cm ² G | | | | 49 | Fail Position (Signal / Air) | Close | | | |
| | 5 | Outlet Pressure | kgf/cm ² G | | | | 50 | Hand-Wheel (Type / Location) | - | | | |
| | 6 | Differential Pressure | kgf/cm ² | | | | 51 | Painting Color (RAL No.) | RAL 5019 | | | |
| | 7 | Inlet Temperature | ℃ | | | | 52 | Painting Type | Polyurethane | | | |
| | 8 | Specific Gravity | G | | | | I / P POSITIONER | 53 | Input Signal (mA DC) | - | | |
| | 9 | Density | kg/m ³ | | | | | 54 | Output Pressure (bar G) | - | | |
| | 10 | Molecular Weight | M.W | | | | | 55 | Type | - | | |
| | 11 | Viscosity | cPs | | | | | 56 | Enclosure | - | | |
| | 12 | Predicted SPL | dB(A) | | | | | 57 | Model No. | - | | |
| | 13 | Calculated Cv | | | | | | 58 | MFG. | - | | |
| | 14 | Opening Lift | % | | | | | POSITION TRANSMITTER | 59 | Output (mA DC) | - | |
| | 15 | | | | | | | | 60 | Type | - | |
| | 16 | | | | | | 61 | | Model No. | - | | |
| DESIGN | 17 | Shut Off ΔP | | | | SOLENOID VALVE | 62 | Power | AC110V | | | |
| | 18 | Design Pressure | | | | | 63 | Type | 3-Way, Lock Type | | | |
| | 19 | Design Temp. | | | | | 64 | Enclosure | IP-65 | | | |
| LINE | 20 | Inlet Pipe Size (A) / Sch. No. | 100 | | | 65 | Model No. | SV-210D | | | | |
| | 21 | Outlet Pipe Size (A) / Sch. No. | 100 | | | 66 | MFG. | SYC | | | | |
| BODY & TRIM | 22 | Body Type | Butterfly | | LIMIT SWITCH & BOX | 67 | Quantity | Close/Open | | | | |
| | 23 | Body Size (B) / Port Size (B) | 100 | 100 | | 68 | Type | SPDT | | | | |
| | 24 | Trim Design | Guide | Concentric | | Top & Bottom | 69 | Enclosure | IP-66 | | | |
| | 25 | Trim Type | Trim Seal Ring | - | | - | 70 | Model No. | APL-210N | | | |
| | 26 | Rating & End Connection | JIS 10K R.F Wafer | | | 71 | MFG. | HKC | | | | |
| | 27 | Flange Facing | - | | AIR SET | 72 | Air Supply Pressure (bar G) | 5 | | | | |
| | 28 | Material | Body | Ductile + PTFE | | 73 | Model No. | AR-1501 | | | | |
| | 29 | | Plug / Disc / Ball | Ductile + PFA | | ACCESSORY | 74 | Lock-Up Valve | - | | | |
| | 30 | | Seat | Ductile + PFA | | | 75 | Volume Booster | - | | | |
| | 31 | | Cage | - | | | 76 | Snap Acting Relay | - | | | |
| | 32 | | Stem | - | | | 77 | Check Valve | - | | | |
| | 33 | | Packing | PTFE | | | 78 | Air-Operated Valve | - | | | |
| | 34 | Bonnet Type | Standard | | 79 | | Exhaust Valve | - | | | | |
| | 35 | Trim Form | Quick-Open | | 80 | | Speed-Controller | - | | | | |
| | 36 | Max.Allow Sound Level (dBA) | 85 | | 81 | | | | | | | |
| | 37 | Required Seat Tightness | ANSI CLASS IV | | 82 | | | | | | | |
| | 38 | Rated Cv | - | | 83 | | | | | | | |
| | 39 | Stroke | 90° | | 84 | | | | | | | |
| | 40 | Flow Action To | Direct | | 85 | | | | | | | |
| | 41 | Painting Color (RAL No.) | - | | MISCELLANEOUS | 86 | Conduit Connection | Air Supply | PT.F 1/4" | | | |
| | 42 | Painting Type | - | | | 87 | | Electrical | PF.F 1/2" | | | |
| | 43 | | | | | 88 | Water Seal | - | | | | |
| | 44 | | | | | 89 | Tubing Material | 316 SS | | | | |
| | 45 | | | | | 90 | | | | | | |
| | NOTE | | | | | | | | | | | |
| | | | | | | | | | | | | |
| | | | | | | | | | | | | |
| | | | | | | | | | | | | |
| | | | | | | | | | | | | |
| B | 2022-11-04 | For Approval | | | S. J. K | H. S. L | S. S. H | | | | | |
| A | 2022-10-14 | For Approval | | | S. J. K | H. S. L | S. S. H | | | | | |
| No. | Date | Revision | | | Prepared By | Checked By | Approved By | | | | | |



Actuator Location



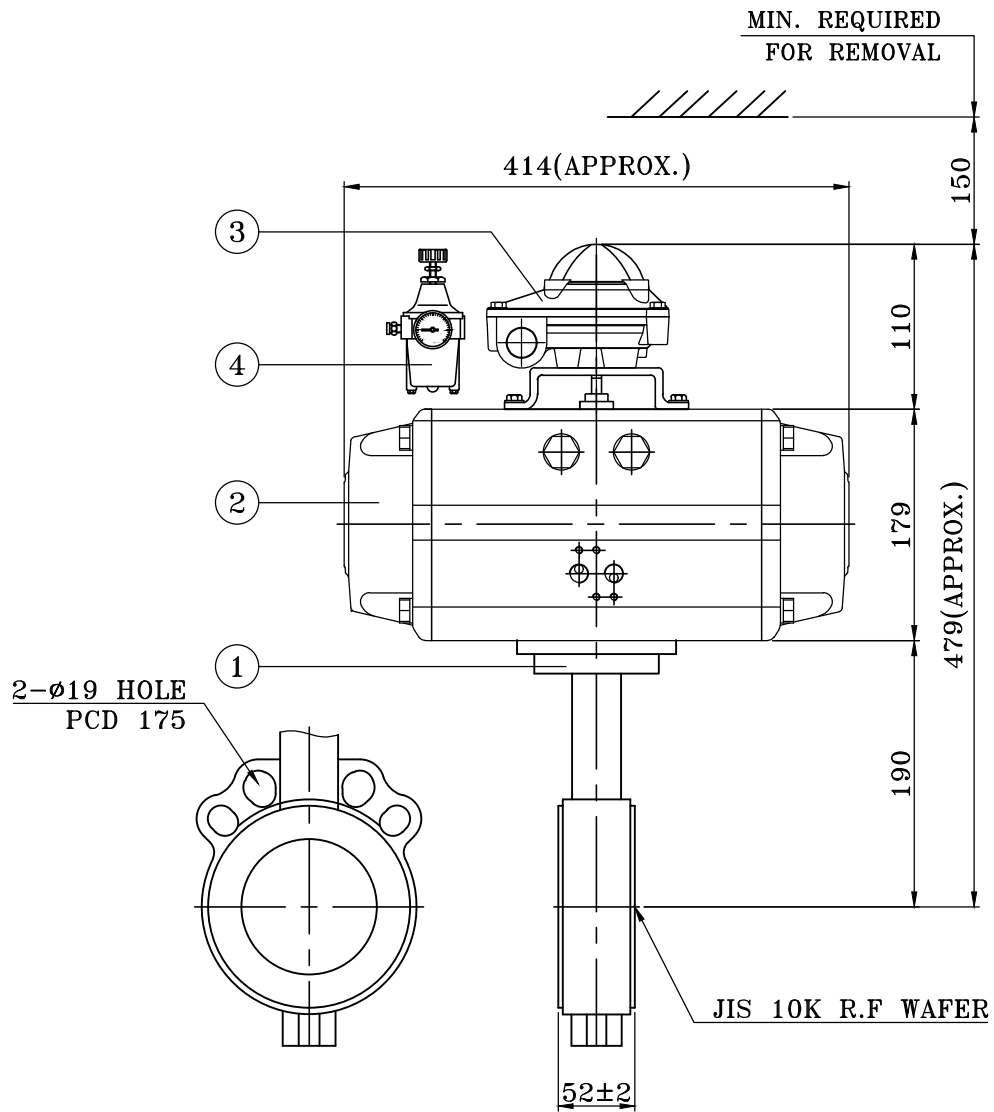
- Tag No. : LSV-221 / LSV-222 / SV-214 / SV-341 / SV-342

| 4 | Air-Set | | |
|---|--------------------|----------------|---------|
| 3 | Limit Switch & Box | | |
| 2 | Actuator | | |
| 1 | Body | Ductile + PTFE | |
| No. | Name Of Parts | Material | Remark |
| Model No. | YABB-112P1-80A | Size | 80A |
| DWG. Name Pneumatic Shut-Off Teflon Lined Butterfly Valve | | | |
| DRAW'N | J.H Bae | APP'D | J.S Noh |

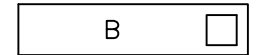
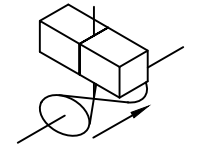
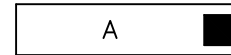
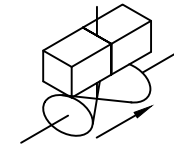


PROVAL Co., Ltd.

| | |
|-----------|------------|
| Date | 2022.11.04 |
| Rev. | B |
| Sheet No. | 10 of 15 |



Actuator Location



- Tag No. : SV-161 / SV-361

| 4 | Air-Set | | |
|---|--------------------|----------------|------------|
| 3 | Limit Switch & Box | | |
| 2 | Actuator | | |
| 1 | Body | Ductile + PTFE | |
| No. | Name Of Parts | Material | Remark |
| Model No. | YABB-112P1-100A | Size | 100A |
| DWG. Name Pneumatic Shut-Off Teflon Lined Butterfly Valve | | | |
| DRAW'N | J.H Bae | APP'D | J.S Noh |
| | | Date | 2022.11.04 |
| | | Rev. | B |
| | | Sheet No. | 11 of 15 |

PROVAL PROVAL Co., Ltd.